

AQUAPEARL PRO



The Light Sky AQUAPEARL-PRO is a long-life, high-performance outdoor moving head light. The LED moving head wash light has excellent light quality, a wide selection of colors, and a high protection level for permanent outdoor use. If you are interested in the LED Sharp Light? Please get in touch with us, and our team of experts will get back to you as soon as possible.

FEATURES

- LED Chip : 19pcs×40W RGBW 4 in 1LED, Stable performance, and long life span
- Multifunction:LED Beam and Wash in one, high brightness, long distance, and Wide range of applications.
- IP Rate : IP66, Waterproof, dustproof, and oilproof design, suitable for outdoor use permanently ; Individual LED control varied in color and effect.
- Rotating front lens for countless vortex effects, “kaleidoscopic” effect
- LED front ring individual LED control
- Built-in color calibration system, ensure consistent color mixing of each fixture
- 4.5-60° wide zoom angel

Light Source / Power System

Voltage : AC100V-240V / 50-60Hz

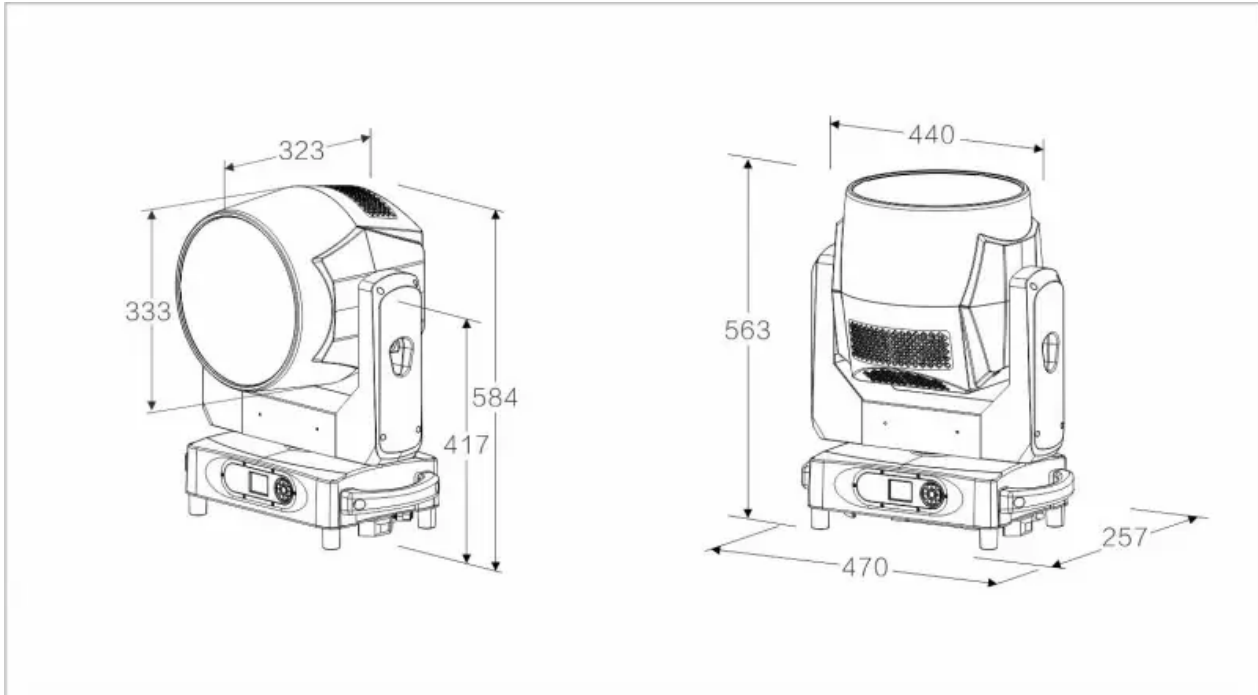
Power : 800W, PF0.985

Luminous flux : 12205 Lm

LED chip : 19pcs×40W RGBW 4 in 1 LED

Average life : 30000h

optical system : High precision combination structure, high permeable glass light rod +PMMA lens



Color / GOBO / Effects

Zoom angle : 4.5°~60°. Linear electric zoom

Beam : small degrees beam effect

Wash : middle and big degree wash

FX mode : kaleidoscope effects

Color : RGBW macro color system.

Color temperature adjustable range : 2500~10000K

CRI : Ra≥75

Effect macro : Static effect macro functions and Dynamic effects macro function

Strobe : 1-30Hz electronic strobe and random strobe.

Dimmer : 16Bit, 0 to 100% Linear electronic dimmer, provides four dimming options

Control System

Lens rotation : Front lens rotation: 360 degree, infinite rotation

Front ring AURA : The front ring AURA 's LED chip can be controlled individual.

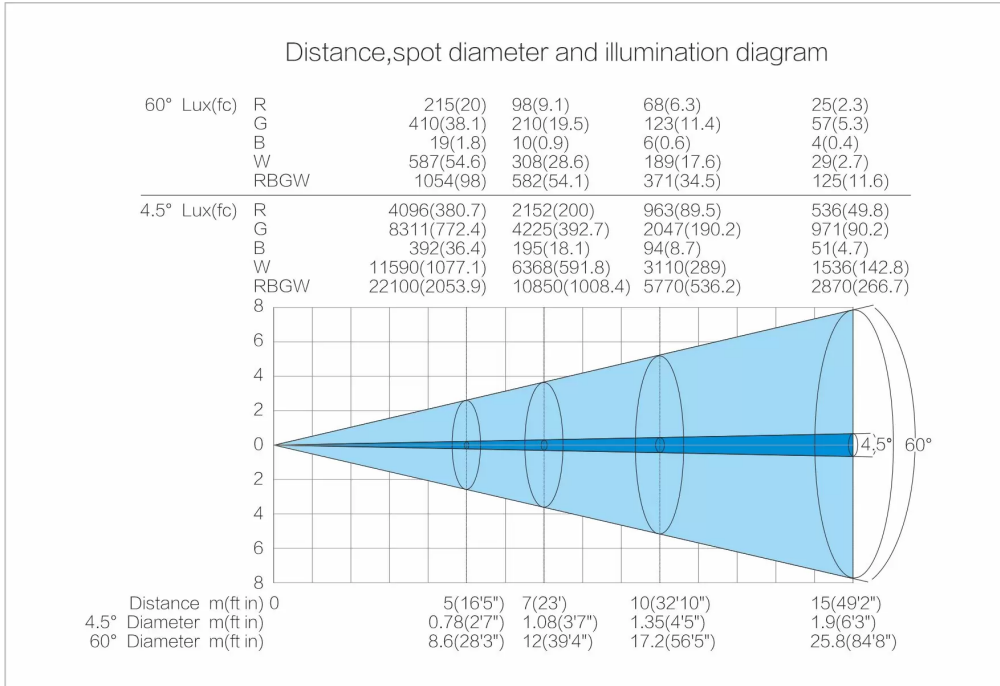
Individual LED control : Independent Individual LED control

Pan/Tilt : Pan/Tilt Travel : 540°/218°; Pan/Tilt Fine : 2.11°/0.85°; Pan/Tilt Speed : 2.5S/1.2S

Control Mode : DMX512、RDM、ArtNet、 wireless DMX512 (option)。

Channel : Standard1(26CH)、 Mode2(45CH)、 Mode3(98CH)、 Mode4(79CH)、 Mode5(22CH)、 Mode6(16CH)、 Mode7(39CH)、 Mode8(35CH)

Display : 1.91 inches OLED display screen. With Chinese and English two version language.



Working mode : Auto mode、 Stage mode、 Studio mode

Intelligent control : Display board can record device's using time , show device's temperature, channel data and software version .

Other functions

Error alarm : Automatic alarming for fixture error

IP set : built-in long-life battery, can set address without power connection

Software upgrade : Upgrade via DMX connector

Magnetic encoder : non-touch magnetic rotation encoder ,100% correct position memory

RDM : RDM signal two-way transmission

Safety Devices : Overcurrent and overheating protection.

Appearance Parameters

Outlooking : Metal base and anti-fire plastic.

IP rate : IP66

Light size : 470×333×563mm

Box Size : 530×395×635mm

N.W : 29.0kg G.W : 32.8kg

Flight case Size(2pcs in 1) : 925×580×785mm

N.W : 58.0kg G.W : 101.8kg