

AURORA



This Light Sky BSW moving head is made of heat-resistant plastic + molded alloy material housing and has a beautiful appearance. The spot moving head light is designed and manufactured strictly with CE standards and meets international standards. Suitable for large live performances and theaters.

FEATURES

- It's a new professional Moving Beam Spot Wash ;
- With 3 + 1 double prism and various prism combination effects,
- Which is intelligently upgraded via USB.
- Easy to install : Its hidden locking device and folding clamp are convenient for installation.

Light Source / Power System

Voltage : AC100~240V 50/60Hz

Rated Power : 620W

Lamp : OSRAM SIRIUS HRI 471W SN

Lamp power : 470W

Average lifespan : 1500h

Ballast : Electronic Ballast

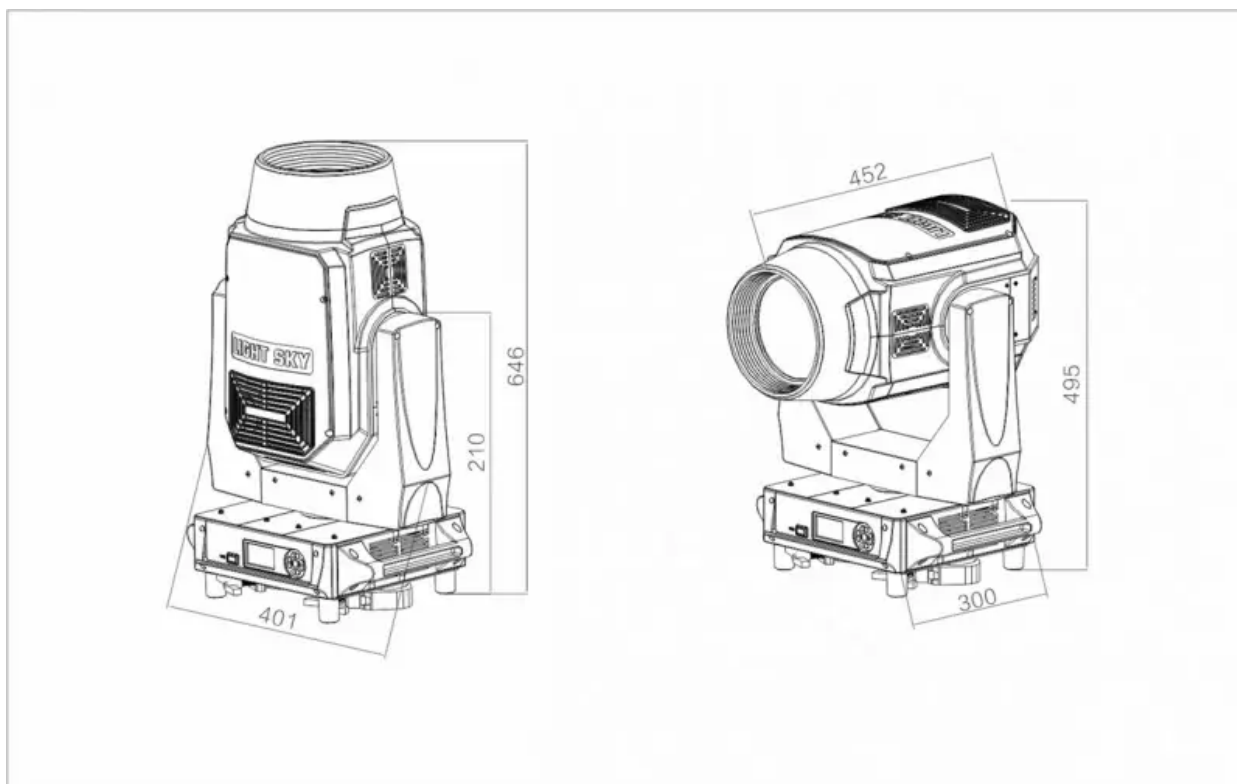
Color temperature (lamp) : 7500K

Color temperature (Light Output) : 6300K

Focus and Lens : $\phi 160$ Optical lens with high precision, linear electronic focus.

Strobe : Double strobe(0.5~9 times/second).

Dimmer : 0-100% linear adjustment.



Color / GOBO / Effects

Color : 13 colors + white, bidirectional rainbow effect

Color mixing system : CMY

Fixed Gobo Wheel : 14 fixed gobos + white, including bidirectional effect of vibration, running water and animation

Rotation Gobo Wheel : 9 rotating Gobos + white, including bidirectional effect of vibration, running water and animation

Effect wheel : bidirectional rotation and dynamic effect

Prism : 4pcs prism(3+1 Double prism wheel) & Multiple prism combinations

Beam angle : Beam Projection 2°~21°, Spot Projection 3°~42°

Frost : Two-level frost (1 ° and 5 °) and frost combined

Control System

Control mode : DMX512、RDM

Channel : 33CH(standard)

Motors : 23 ultra-quiet motors

Pan/ Tilt : 540°/250°

Pan/ Tilt fine : 2.11°/0.98°

Pan/ Tilt Speed : 2.7 S/1.6 S

Software upgrade : Via USB

Other functions

Other functions : 1、 The lamp's switch can be controlled remotely; the cooling fan can be adjustable automatically; the lamp power will decrease when the fixture turns off.

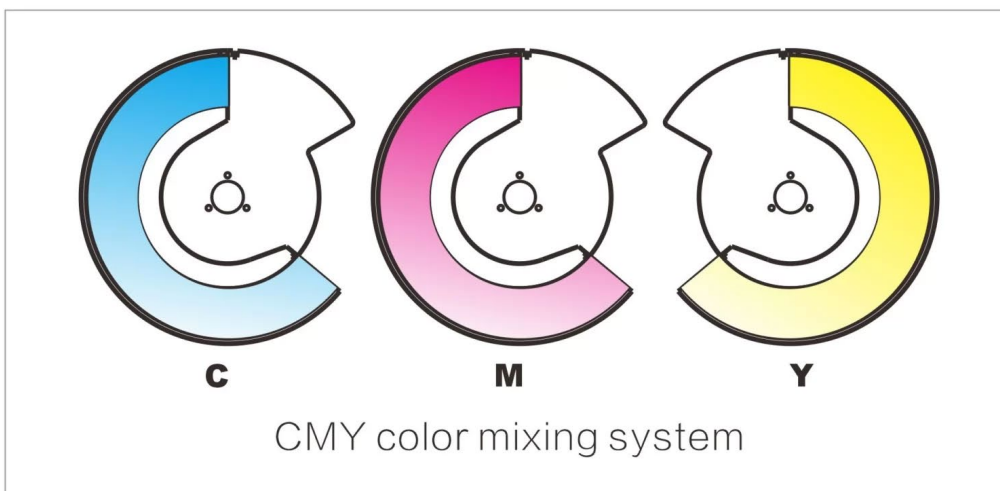
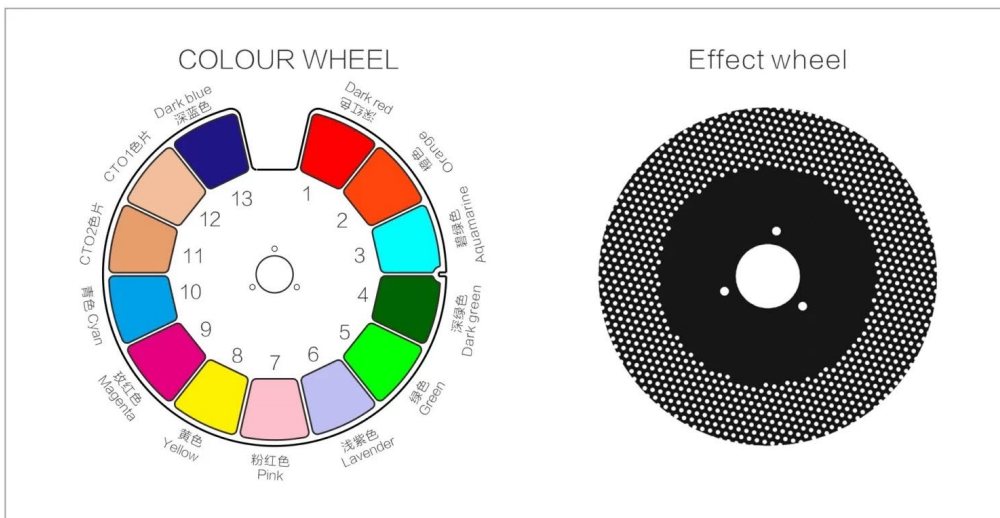
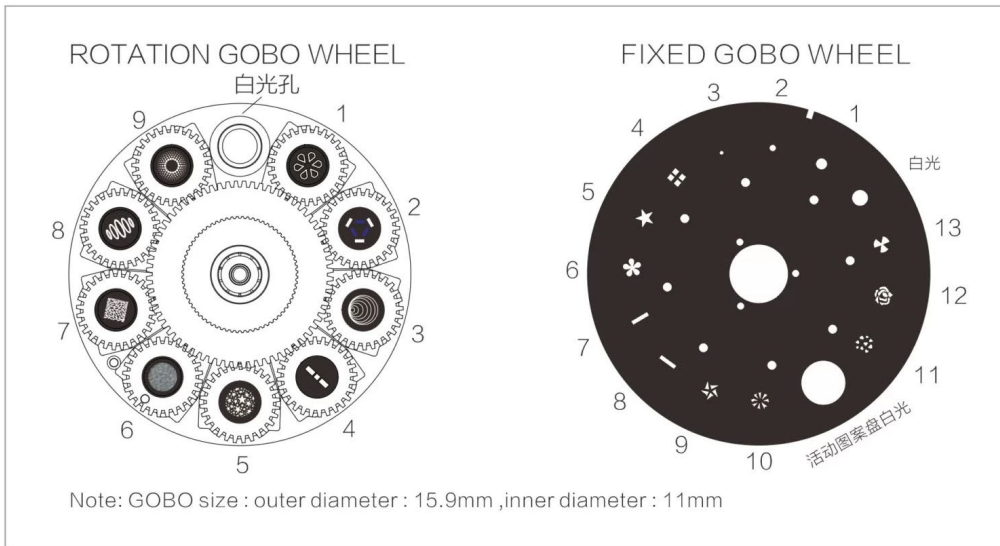
2、 DMX address can be reset remotely via control panel

3、 The lamp's heat dissipation can be adjustable with G-sensor system

Lamp safety : overcurrent and overheat protection; automatically interrupts lamp power when the lamp overheats or the cooling system fails.

Cooling System : Forced ventilation with an axial-flow fan

vertical direction : The locking device of vertical arm is used for convenient transportation and maintenance.



Appearance Parameters

Cover material : Heat-proof plastic + module pressing alloy materials.

IP rating : IP20

Fixture size : 380x300x654(mm)

A single Carton Size : 490X390X725(mm)

N.W : 29.0kg G.W : 32.50kg

Flight case Size (2pcs in 1) : 890X500X850(mm)

N.W : 58.00kg G.W : 101.00kg

