

High End Systems



Type(s)
Project
Date
Notes

GENERAL INFORMATION

The High End Systems Zeo is a genre-defying fixture. Packing ultimate brightness, the Zeo can be used as a strobe or blinder to heighten the energy at any show. Create captivating looks with Zeo’s unique face design, highlighted by a central LED monolith, four reflectors, and four powerful RGBW engines. Zeo’s focus concentrates the light throughout the fixture’s 55° field angle. And the many looks of Zeo are easily accessible with an abundance of macros to choose from.

Applications

- Performance spaces of all sizes
- Let creativity be your guide

Product Features

- LED monolith with four 300 W RGBW LED cells
- Individual cell control
- Fixture output exceeding 30,000 lumens
- Patented Quad Reflector system
- HaloGraphic Pixel Definition technology
- Motorized Light Concentration system
- Optional accessory beam homogenizer for enhanced color mixing
- Strobe and inclusive macros with separate background levels to enhance shows at all programming levels

ORDERING INFORMATION

Model	Description
ZEO-MI	Zeo, Black, in Molded Insert, Boxed
RC-ZEO	Road Case, Holds up to Two (2) Zeo Fixtures in Molded Insert

Color Options: Fixtures ship standard in black. White available by request.
Included Accessories: Fixture includes two (2) 107 mm three-hole Omega brackets, one (1) fixture power cord, bare ends to powerCON® TRUE1® TOP input, and a safety cable.

Accessories

Model	Description
ZEO-HG	Beam Homogenizer for Zeo
2500B7029-A	Fixture Power Cord Upgrade, 5 ft TRUE1 TOP to Parallel Blade U-Ground (Edison)
2560B7005	Fixture Power Cord Upgrade, Stage Pin to powerCON TRUE1 TOP, 20 A
2560B7006	Fixture Power Cord Upgrade, L6-20 to powerCON TRUE1 TOP, 20 A
2560B7007	Fixture Power Cord Upgrade, L5-20 to powerCON TRUE1 TOP, 20 A
67040007	MegaClaw™
55040014	Cheeseborough 2" Alloy 1/2 Coupler Truss Clamp
67040010	Mini-Claw™



PRODUCT SPECIFICATIONS

Source

Engine	Quantity four, each 300 W RGBW COB
LED Details	1,200 W
Field Lumens	See photometrics on page 3
Max Integrating Sphere Lumens	30,000 lumens
LPW	25
LED Life	50,000 hours
Native CCT	None

Color

Color Mixing	Red, Green, Blue, White, CTO
Color Temperature	2,200 K to 10,000 K

Optical

Light Concentration Control	Motorized, beam from 13° to 55°
Aperture Size	285 x 285 mm
Diffusion	Optional beam homogenizer accessory
Flicker Control/Hz Range	2.4 kHz and 16 kHz

Control

Input Method	DMX (5-pin) or Ethernet
Protocols	DMX via RS-485 Art-Net or sACN via Ethernet
Ethernet Pass-Thru	Passive Ethernet in and thru with and without power
Data Conversion	Patented data conversion system for Ethernet to DMX
Modes (Footprint)	Standard (51 channels) Reduced (23 channels) Wash (15 channels)
Effects Capabilities	Inclusive macros Strobe macros Individual cell mapping
RDM Functions	Yes
UI Type	Full-color graphical UI and 5-button navigational control
Local Control	Yes
Dimming Performance	16-bit, DMX controlled

Notes: All LED sources experience some lessening of light output and some color shift over time. LED output will vary with thermal conditions. Thermal conditions can be affected by ambient temperatures and orientation.

Electrical

Voltage Range	100–240 V 50–60 Hz
Input Method	powerCON TRUE1 TOP
Wattage	1,670 W
Current (Max)	16.8 A @ 100 V 6.5 A @ 240 V
Inrush (First Half Cycle)	120 V: 69 A 230 V: 123 A
Fixtures per Circuit	1 fixture (R20 module or similar) Note: TRUE1 TOP connector rated for 20 A (120 V/60 Hz) and 16 A (240 V/50 Hz)

Thermal

Ambient Operating Temp	-10°C to 40°C (14°F to 104°F)
Cooling System	Fan-cooled closed-loop liquid cooling system
Fan Mode	Standard, Studio, and Linear Continuous control channel

Physical

Pan and Tilt Range	540° pan, 205° tilt
Max Pan/Tilt Speed	360° in 2.39 s/180° in 1.92 s
Materials	Steel and aluminum frame with molded plastic covers
Color Options	Black, white by request
Mounting Options	Any orientation
IP Rating	IP20
Weight	20 kg (44 lb)
Included Accessories	powerCON TRUE1 TOP to bare end fixture tail Two (2) 107 mm three-hole Omega brackets Safety cable

Warranty

Fixture Warranty	Five (5) years for light engine Two (2) years for complete fixture
Warranty Details	etcconnect.com/Support/Warranty.aspx

Regulatory & Compliance

Approved regulatory standards	cETLus Listed Listed to UL 1573 Certified to CSA STD. C22.2 No: 166 CE Compliant UKCA Compliant
Complies to the ROHS directive	Yes

Safety

Safety	Minimum distance to illuminated surface = 2.0 m (6.7 ft) Minimum distance from fixture head to combustible materials = 0.1 m (4.0 in)
--------	--

PHOTOMETRIC DATA

Zeo - All on

	Beam Angle	Field Lumens	Power Usage	Lumens Per Watt
Narrow	13°	30,405	1200 W	25
Wide	55°	29,907	1200 W	25

Zeo - White LEDs only

	Beam Angle	Field Lumens	Power Usage	Lumens Per Watt
Narrow	13°	15,763	375 W	42
Wide	55°	15,782	375 W	42

Zeo - Red LEDs only

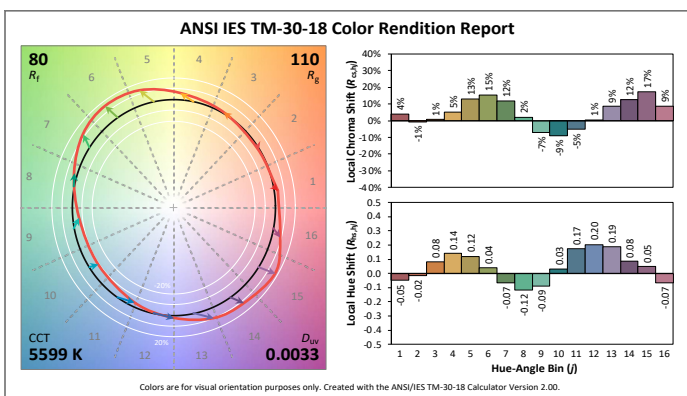
	Beam Angle	Field Lumens	Power Usage	Lumens Per Watt
Narrow	13°	6,343	329 W	19
Wide	55°	6,178	329 W	19

Zeo - Green LEDs only

	Beam Angle	Field Lumens	Power Usage	Lumens Per Watt
Narrow	13°	11,714	439 W	26
Wide	55°	11,622	439 W	26

Zeo - Blue LEDs only

	Beam Angle	Field Lumens	Power Usage	Lumens Per Watt
Narrow	13°	2,524	485 W	5
Wide	55°	2,483	485 W	5

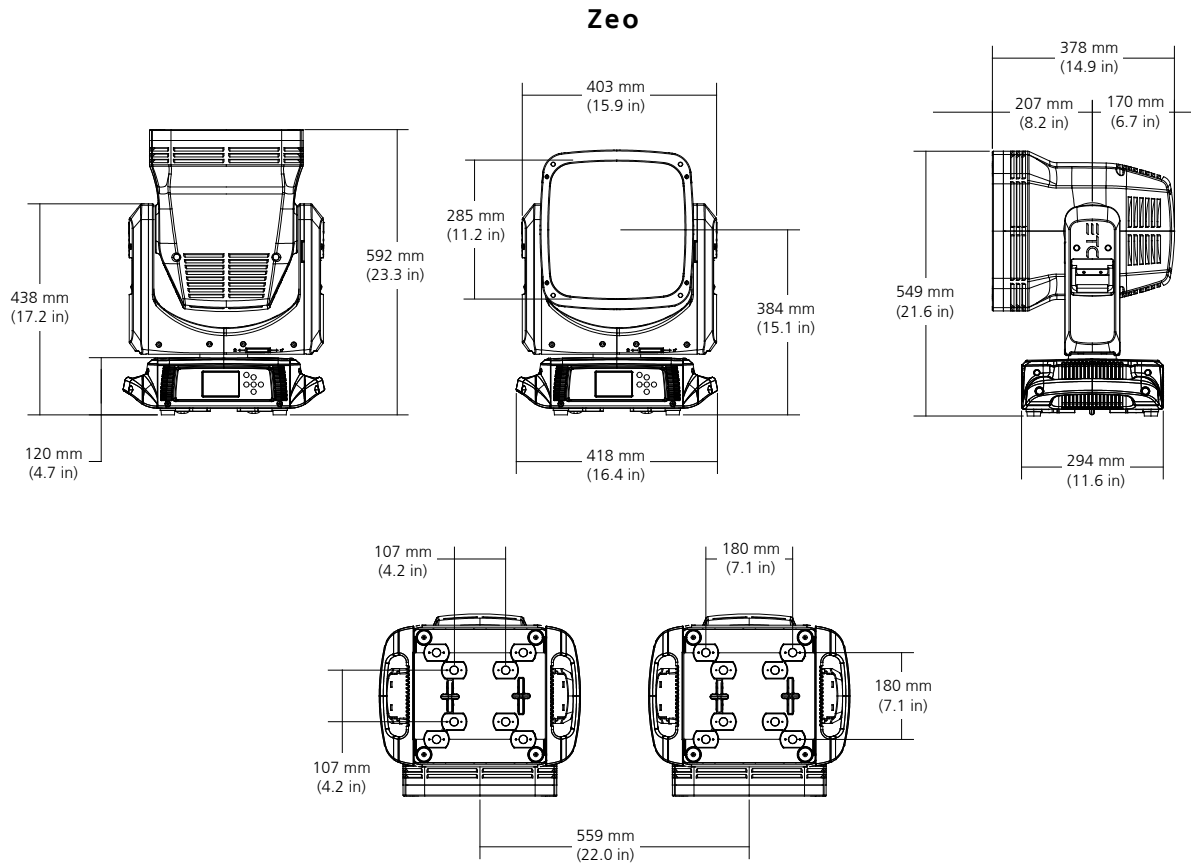


Additional Color Metrics	
CRI R _a (R ₉)	80 (69)
TLCI	75

Product Dimensions

Model	Height		Width		Depth		Weight	
	in	mm	in	mm	in	mm	lb	kg
Zeo**	23.3	529	16.4	418	11.6	294	44.0	20.0
Zeo in Box with Molded Insert	26.7	680	22.8	580	21.5	545	77.6	35.2

**Does not include mounting hardware



Power Table

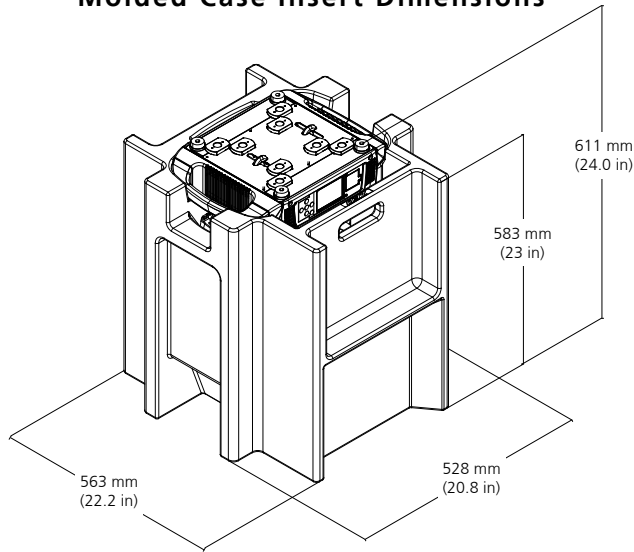
VAC	Amps	Hz	Watts	VA	PF
100	16.8	50	1670	1676	0.99
120	13.4	60	1597	1596	0.99
200	7.6	50	1497	1512	0.98
208	7.3	60	1487	1501	0.98
220	6.9	50	1485	1504	0.98
230	6.6	50	1475	1495	0.98
240	6.3	60	1466	1492	0.98

ADDITIONAL ORDERING INFORMATION

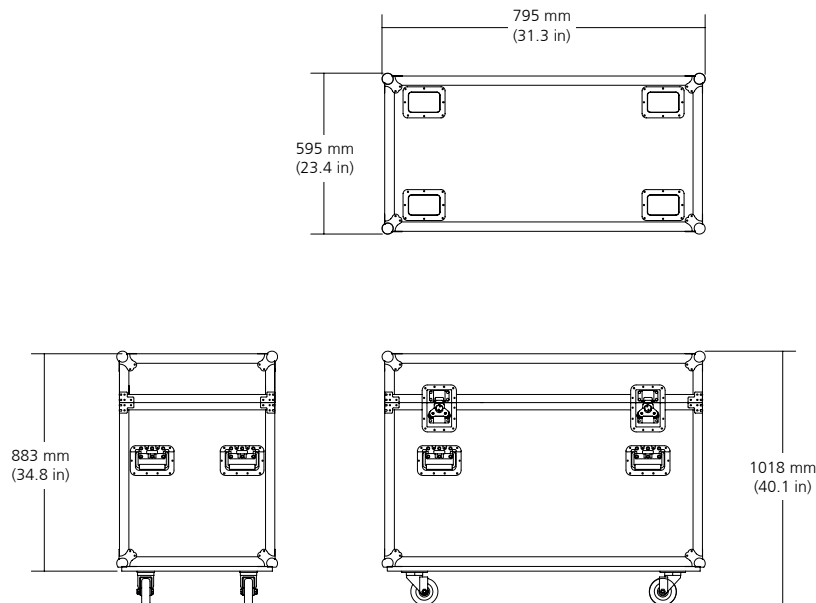
Additional Accessories

Model Number	Description
2599A2000	Omega bracket, 107 mm three-hole (included)
H7180023	Omega bracket, 107 mm single-hole
2599A2001	Omega bracket, 180 mm three-hole
H7150008	Omega bracket, 180 mm single-hole

Molded Case Insert Dimensions



Optional Roadcase Dimensions



Corporate Headquarters • Middleton, WI USA
 Global Offices • London, UK • Rome, IT • Holzkirchen, DE • Paris, FR • Hong Kong
 Dubai, UAE • Singapore • New York, NY • Orlando, FL • Los Angeles, CA • Austin, TX
 ©2025 ETC. All Rights Reserved. All product information and specifications subject to change. Rev B 2025-01
 *Trademark and patent info: etconnect.com/IP • Third-party license agreement info: etconnect.com/licenses

